

CONTACT DETAILS

HEAD OFFICE

Physical Address
Wintec Innovation (Pty) Ltd
31 Frere Road
Vincent, East London
South Africa

HEAD OFFICE

Postal Address
PO Box 13008
Vincent, East London
5201

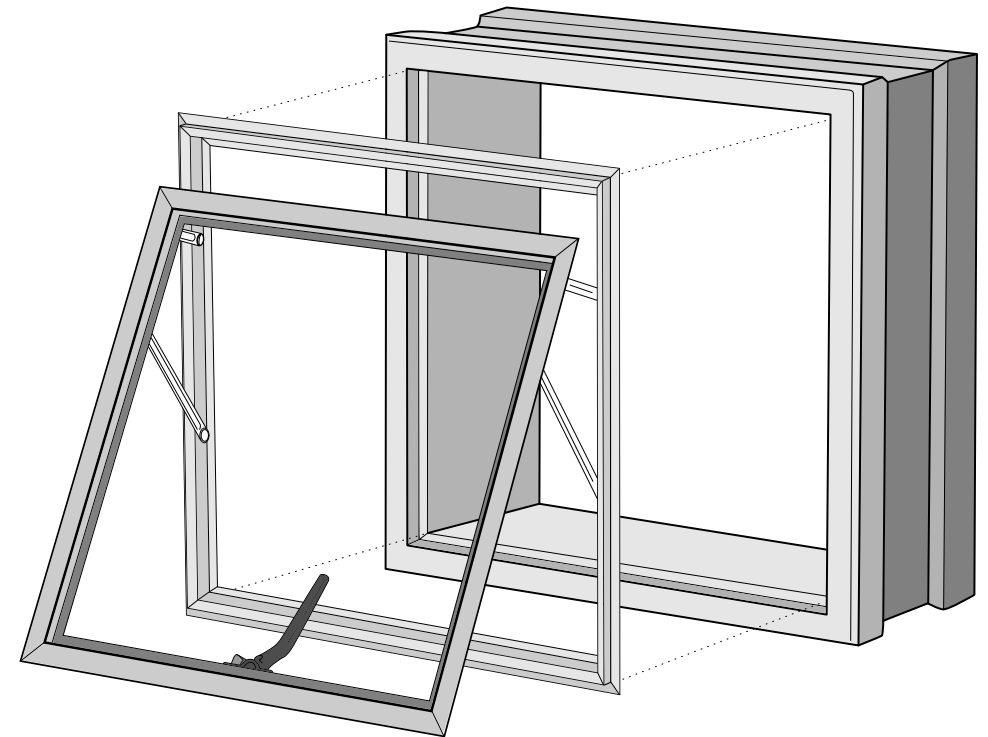
086 155 5180

info@wintec.co.za
wintecinnovation.co.za

WINTEC® Winblok

CONSTRUCTION GUIDE

Correct handling, laying & installation of the **Wintec® Winblok®** & **Wintec® Winvent®** systems



OUR OTHER ARCHITECTURAL SYSTEMS...

WINTEC® Winslot®

PASSIVE SUN CONTROL FENESTRATION SYSTEM

Winslot® window system with thermal break provides passive solar control using horizontal pre-stressed concrete lintels functioning as louvres. Various combinations of **Winvent®** glazing inserts may be used including our cost-effective Direct Glazing option.

WINTEC® Winstep®

STAIR / RAMP / WALKWAY SYSTEM

Winstep® pre-cast concrete components provide an effective solution for on-site assembly of stairs, ramps and walkways and is suitable for interior and exterior use. The **Winstep®** winder is a pre-cast concrete spiral staircase perfect for tight spaces.

WINTEC® Windeck®

SUSPENDED FLOORING SYSTEM

Windeck® patented flooring system is designed as an alternative, cost effective and quick-to-install domestic flooring solution consisting of smooth finished concrete tiles laid on pre-stressed concrete beams suspended between walls. Ideal for exterior decks and interior floor and mezzanine levels.

All products referred to and illustrated are protected either by RSA Patents or Design Registration or Copyright. International Patents pending.

RSA Patent numbers 81/8190;85 / 0201D;85 / 020D;87 / 2305;87 / 2306;87 / 2495;85 / 3173;88 / 2151D;90 / 7962;90 / 7963;90 / 7964;90 / 7965

WINTEC® / WINBLOK® / WINSLOT® / WINVENT® / WINDECK® / WINSTEP® / WINPANEL® / WINGUARD® / WINGRID® / WINLOUVRE® are registered trademarks.

© 2016 WINTEC® INNOVATION PTY (LTD.) © Al Stratford Family Trust. All rights reserved. No part of this publication may be reproduced in any way or used in any publication or article in print or digital form, online or otherwise, without the prior written permission of WINTEC INNOVATION PTY (LTD.)

an **AL STRATFORD** design
PR Arch, SAIA



HANDLING WINBLOK®

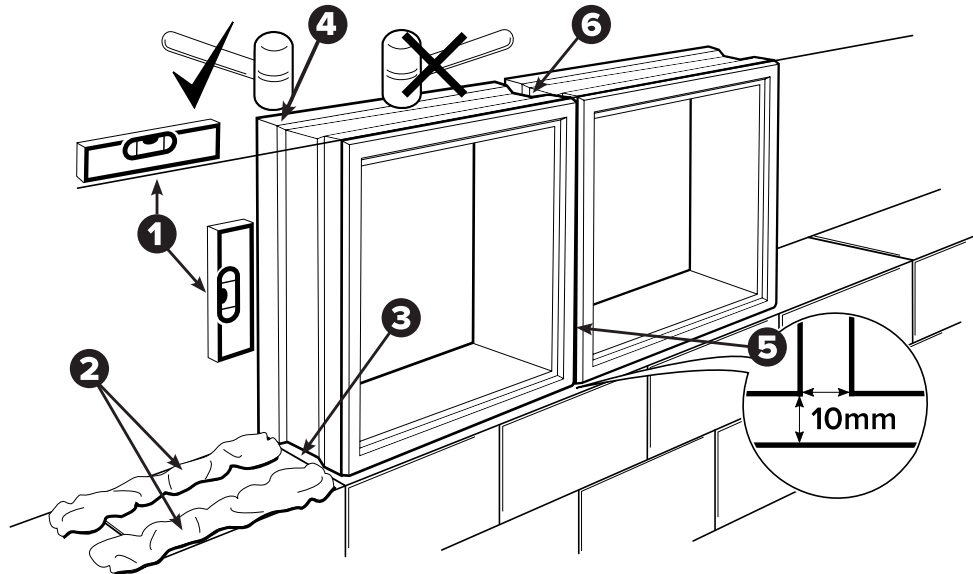
i WINBLOK® surrounds are not reinforced and impact loading may easily break them.

Corners and edges are susceptible to chipping. On site, the Winblok® surrounds should be carried manually or supported on timber pallets. Wheel-barrows and dumpers should never be used. Winblok® is supplied with an "off-the-mould" finish which may be damaged during construction. Careful handling and storage on site can reduce such unnecessary damage and consequent cost generating repair time. Secure a safe, level storage area and store the Winblok® surrounds on wooden laths. Make allowance for on-site patching of damage, and stopping of blow-holes before painting to provide a slicker finish than is possible off the moulds.

BUILDING WITH WINBLOK®

In general, standard practices of concrete masonry construction should be applied to Winblok® construction with particular reference to shrinkage control joints in large Winblok® panels. Class 1 mortar as defined in clause 3.4.1 of SABS 0164 : Part 1 - 1980 should be used for all jointing. The correct usage of damp proof courses is essential.

- 1 The Winblok® must be laid plumb to the builders line.
- 2 Lay Winblok® on a stiff strong 1:3 mix *mortar bed in two continuous strips.
- 3 Allow the mortar to squash outward and inward of the rebate.
- 4 A rubber mallet may be used **only on the corners** to tap the Winblok® down to the line.
- 5 The perpendicular joint between Winblok® surrounds should always be left open, with a joint space between each Winblok®, until a whole new row has been laid.
- 6 A dry-mix, no-fines, aggregate (e.g. 13mm stone) should be poured into the cavity between the vertical rebates. The vertical joints may then be back-grouted with mortar before tooling the joints. The no-fines aggregate acts as a moisture barrier by interrupting capillary migration.

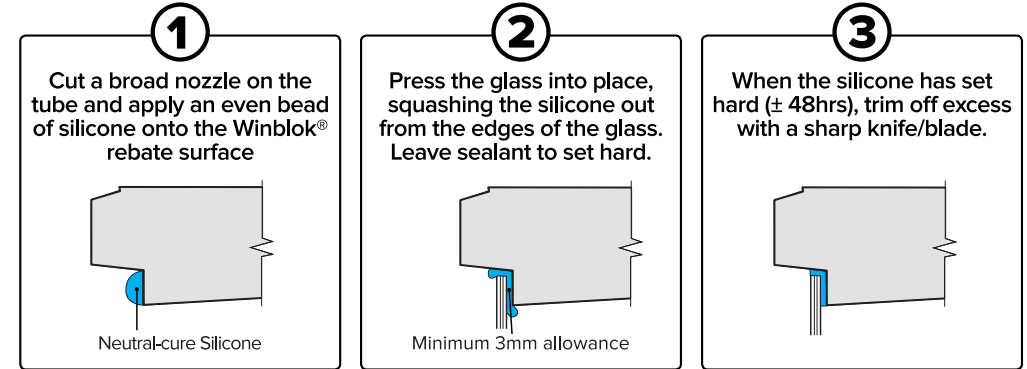


* Mortar laid across the full wall surface may cause pressure in the rebate and fracture the bottom flange. No mortar should be allowed to bridge the rebate cavity walls and care should be taken to maintain a continuous cavity. **Mortar must be kept clear of the vertical rebates.**

FIXING DIRECT GLAZING

White spirits, or equivalent, should be used to clean the glazing rebate on Winblok®, and the contact surfaces of anodised aluminium and galvanised steel inserts. A cleaning and degreasing agent, should be used to clean the contact surfaces or powder coated aluminium. A **neutral cure non-ascetic silicone sealant** must be used to secure inserts into Winblok® surrounds. *Note that all silicone sealants and adhesives have a limited shelf life.*

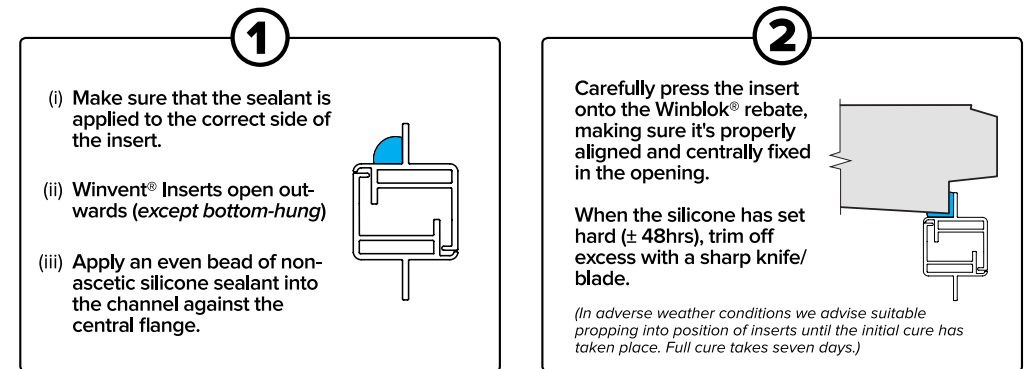
i Correct glass size is critical. Silicone **MUST NOT** be placed onto painted surfaces. Do not glaze in wet weather conditions.



FIXING WINVENT® ALUMINIUM INSERTS

White spirits, or equivalent, should be used to clean the glazing rebate on Winblok®, and the contact surfaces of anodised aluminium and galvanised steel inserts. A cleaning and degreasing agent, should be used to clean the contact surfaces or powder coated aluminium. A **neutral cure non-ascetic silicone sealant** must be used to secure inserts into Winblok® surrounds. *Note that all silicone sealants and adhesives have a limited shelf life.*

i Silicone **MUST NOT** be placed onto painted surfaces. Do not glaze Winvent® inserts in wet weather conditions.



VIDEO:
Winvent® Window Installation
Into Winblok® System

Subscribe to us on YouTube for all our latest videos.
www.youtube.com/WintecInnovation